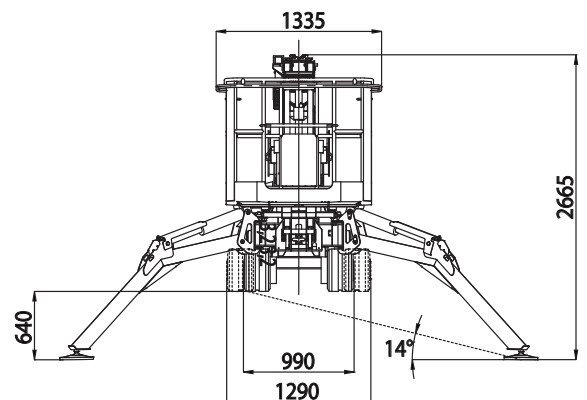
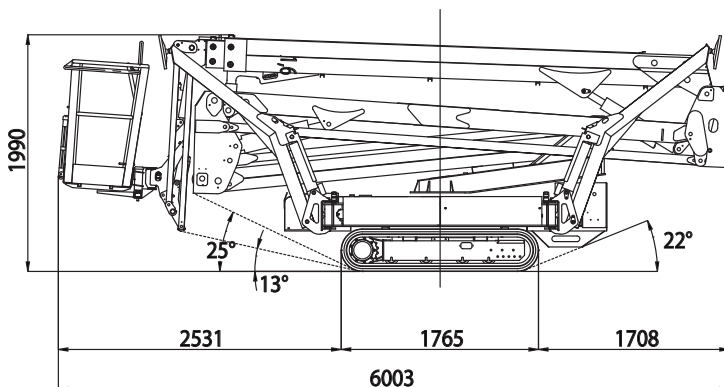
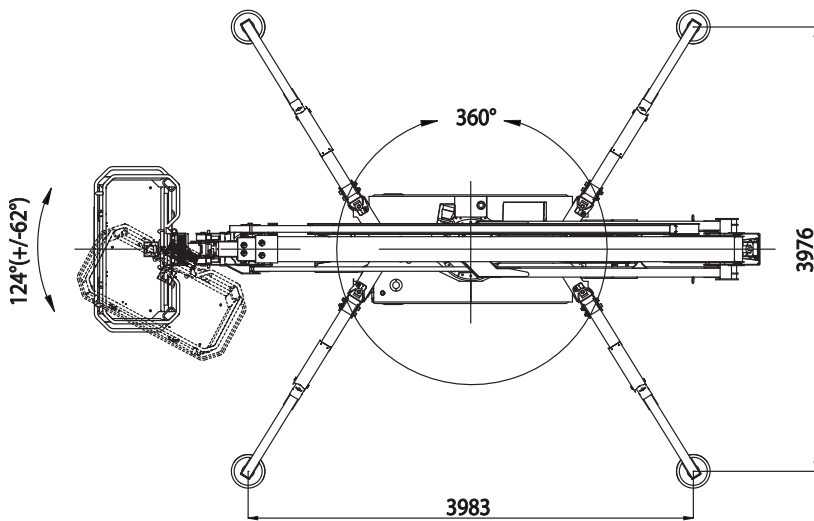
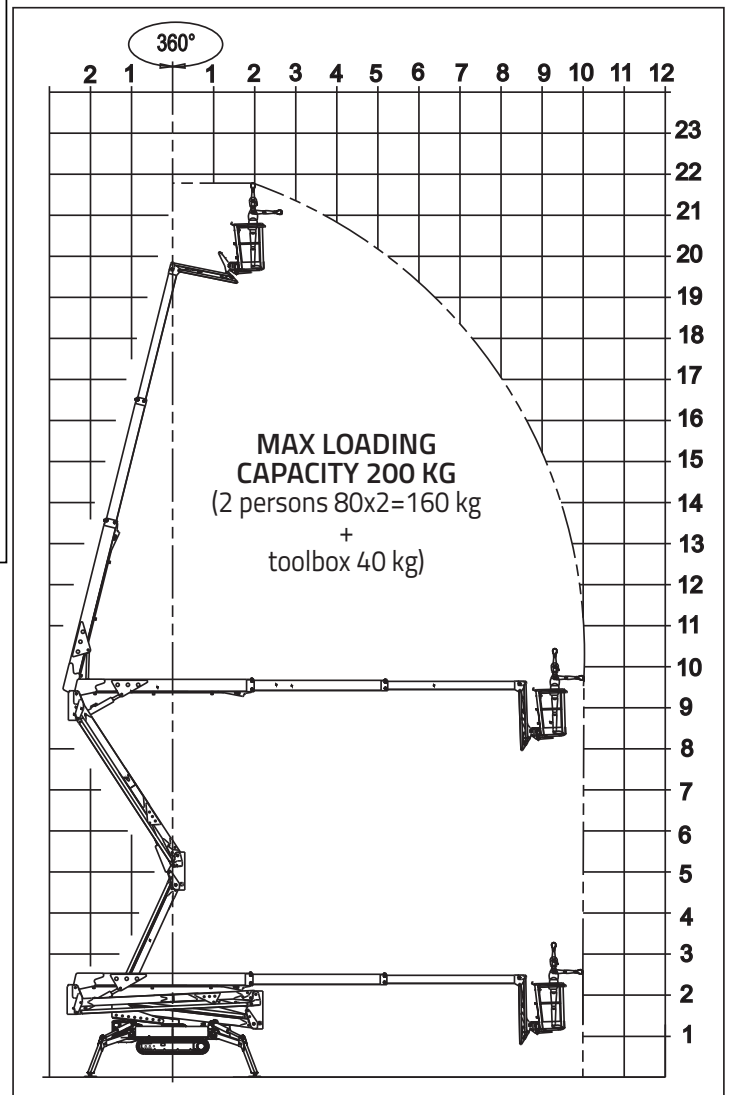
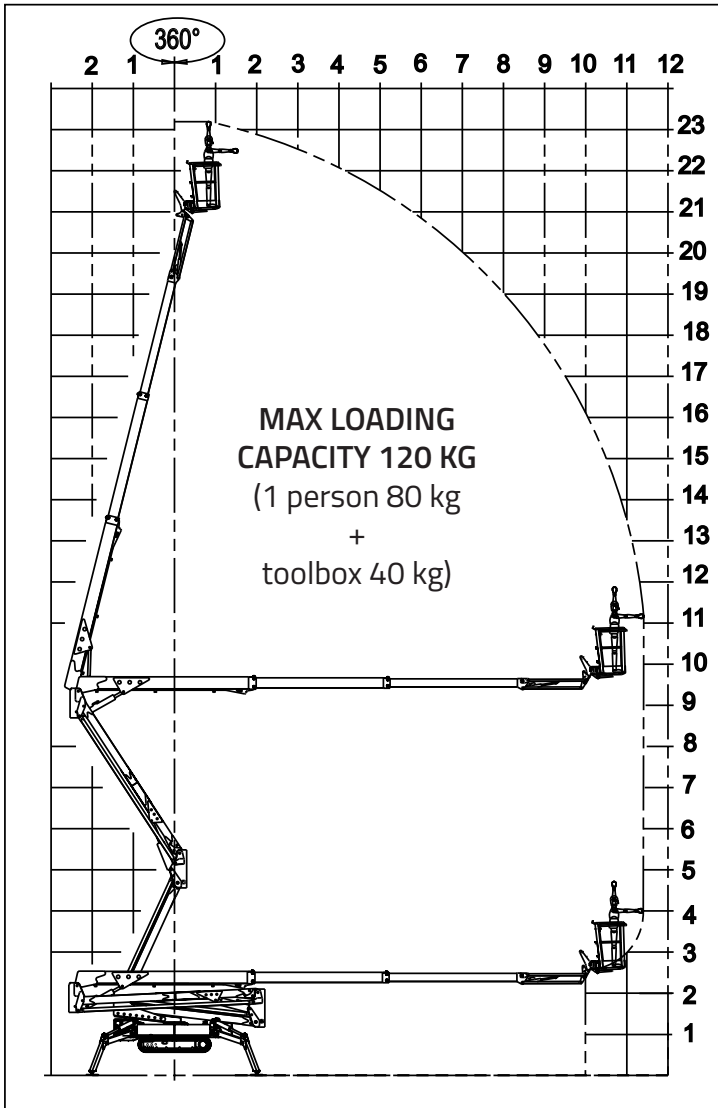


LIGHTLIFT 23.12 *MS*



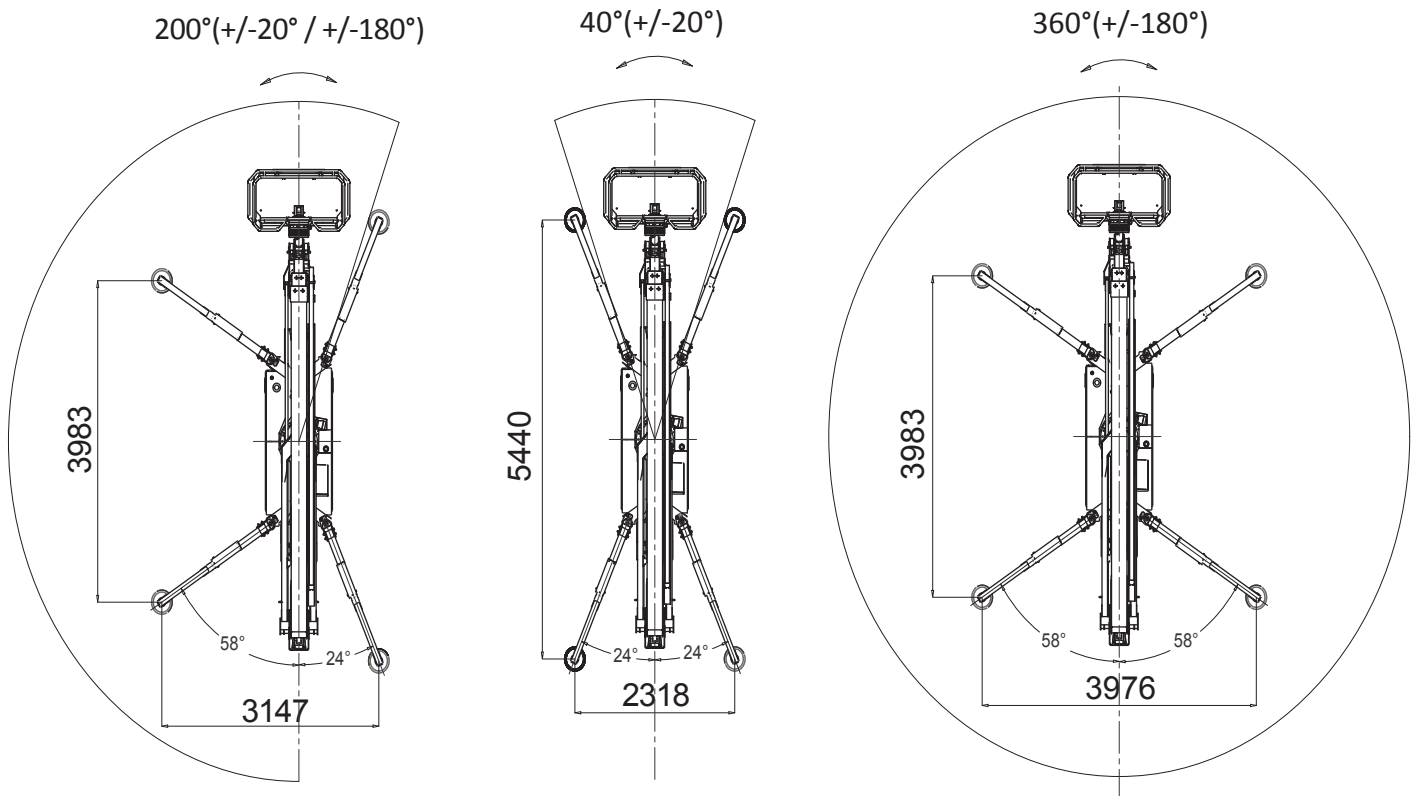
LIGHTLIFT 23.12 III S



LIGHTLIFT 23.12 III S

STANDARD VARIABLE AREA

Outriggers can deploy in different positions.
This solution enables to set up the machine even in the narrowest places.



LIGHTLIFT 23.12 III S

PETROL ENGINE

Brand HONDA
 Type iGX440
 Pistons no. and displacement double-cylinder 440 cm³
 Max. gross power 12,7 HP - 9,5 kW @ 3600 rpm
 Electrical start 12 volt

ELECTRIC MOTOR

Standard 230V / 50 Hz - 2,2 kW
 Optional 110V / 50 Hz - 2,2 kW

HYDRAULIC PUMPS

Pump diesel engine no. 2 gear pumps
 Pump electric motor no. 2 gear pumps

TRACKED UNDERCARRIAGE

Track tensioner grease-filled
 Rollers no. per side 4 + slide
 Widening system 990 / 1290 mm
 Max translation speed with standard 2nd speed 1,0 - 1,7 km/h

WEIGHT MACHINE 2990 kg
 MAX UPPER SLANT 16° / 28,7 %
 MAX WIND SPEED 12,5 m/s

LIGHTLIFT 23.12 III S

LITHIUM-ION

LITHIUM-ION SYSTEM

Battery	100 Ah
Electric motor:	
- rated voltage	72 V
- rated power	3,5 kW
Onboard battery charger	110V-220V+-30V 50-60 Hz
Autonomy (continuous cycle)*	4-5 h
* (Autonomy measured with Hinowa H1 operating cycle)	
Recharge time on flat batteries	4 h (indicative)
Recharge time to 80% on flat batteries	2 h (indicative)

HYDRAULIC PUMPS

Electric motor	no.2 gear pumps
----------------------	-----------------

TRACKED UNDERCARRIAGE

Track tensioner	grease-filled
Rollers no. per side.....	4 + slide
Widening system.....	990 / 1290 mm
Max translation speed with standard 2 nd speed	0,7 - 1,2 km/h

WEIGHT MACHINE	3200 kg
MAX UPPER SLANT	16° / 28,7 %
MAX WIND SPEED.....	12,5 m/s