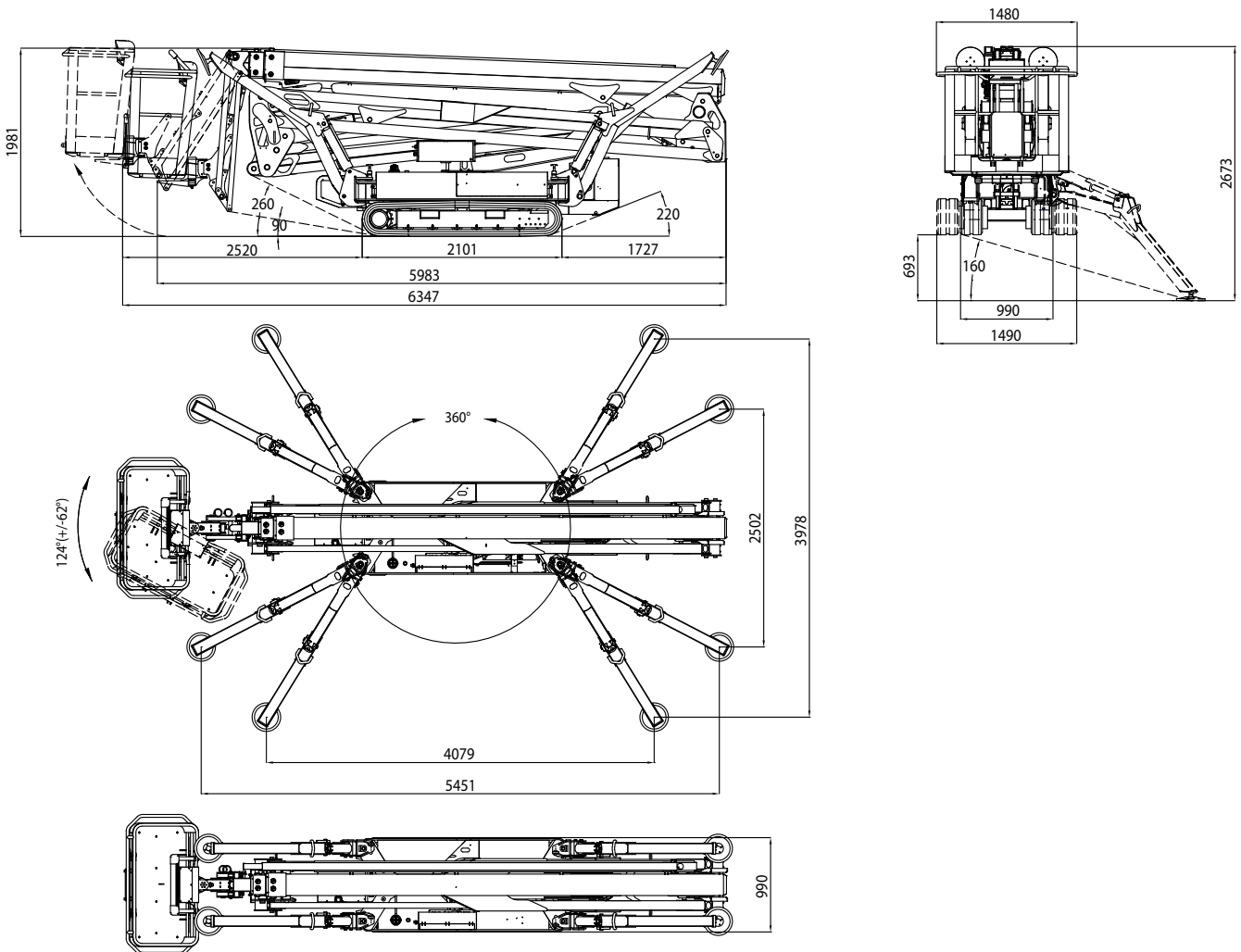
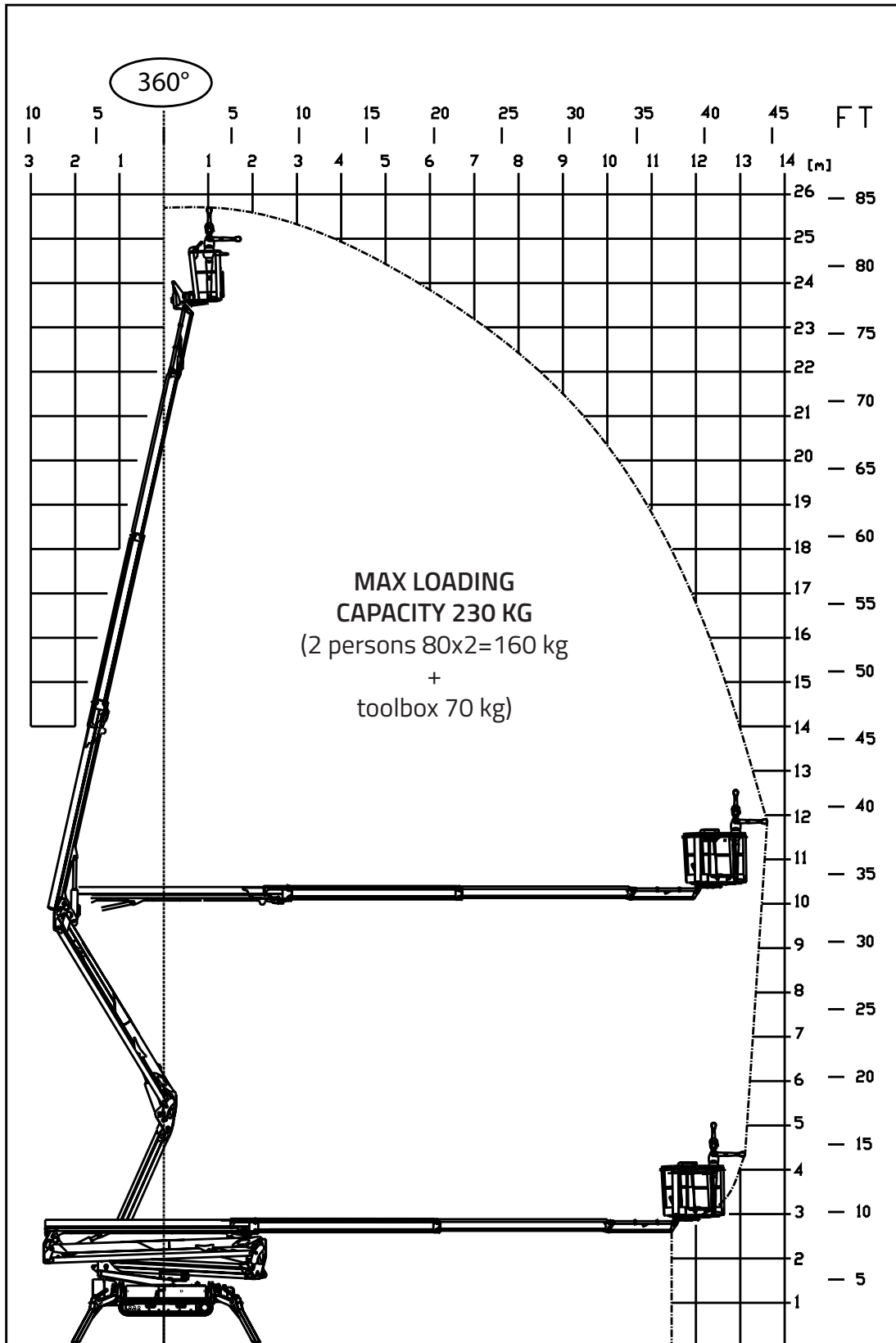


# LIGHTLIFT 26.14 *PERFORMANCE III S*



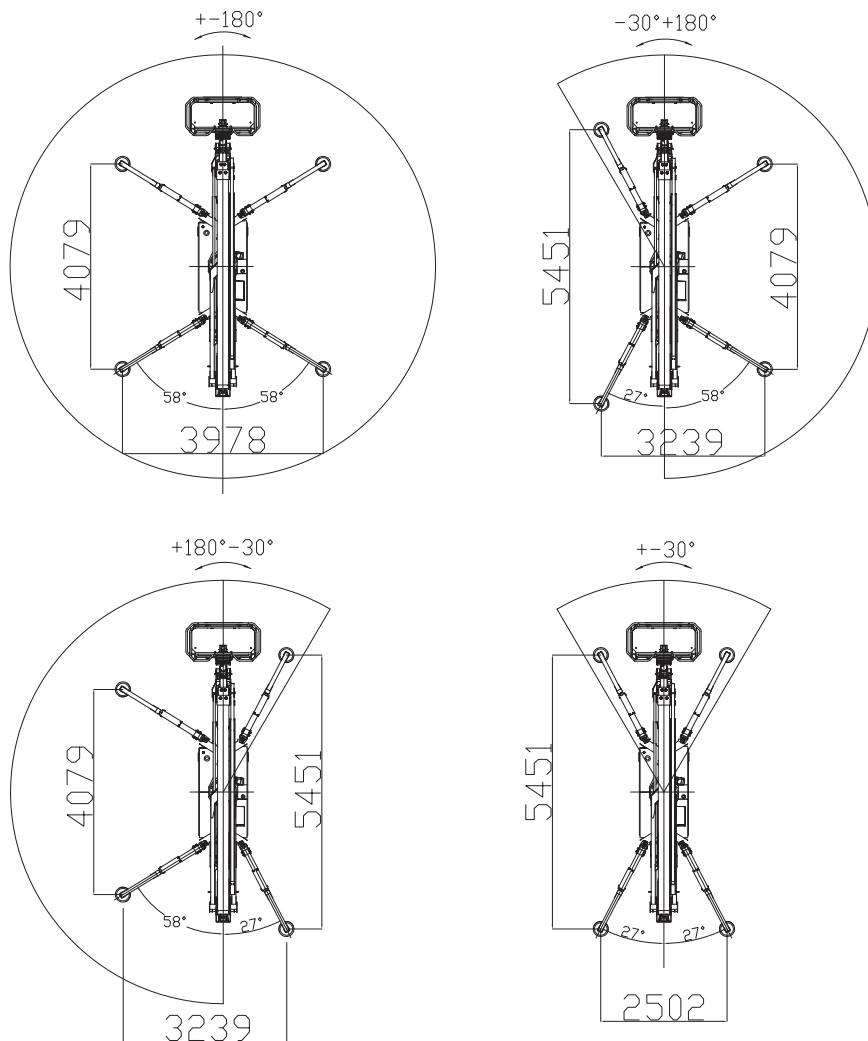
# LIGHTLIFT 26.14 *PERFORMANCE III*



# LIGHTLIFT 26.14 *PERFORMANCE III S*

## STANDARD VARIABLE AREA

Outriggers can deploy in different positions.  
 This solution enables to set up the machine even in the narrowest places.



# LIGHTLIFT 26.14 *PERFORMANCE III*

## DIESEL ENGINE

Brand ..... KUBOTA  
 Type ..... D902 Autorev  
 Pistons no. and displacement ..... 898 cm<sup>3</sup>  
 Max. gross power ..... 21,6 HP - 16,1 kW @ 3200 rpm  
 Electrical start ..... 12 volt

## ELECTRIC MOTOR

Standard ..... 230V / 50 Hz - 2,2 kW  
 Optional ..... 110V / 50 Hz - 2,2 kW

## HYDRAULIC PUMPS

Pump diesel engine ..... no. 2 gear pumps  
 Pump electric motor ..... no. 2 gear pumps

## TRACKED UNDERCARRIAGE

Track tensioner ..... grease-filled  
 Rollers no. per side ..... 6 + slide  
 Widening system ..... 990 / 1490 mm  
 Translation speed with 2<sup>nd</sup> auto2speed ..... 1,1 - 2 km/h

WEIGHT MACHINE ..... 4365 kg  
 DIESEL FUEL TANK ..... 25 liters  
 MAX UPPER SLANT ..... 16° / 28,7%  
 MAX WIND SPEED ..... 12,5 m/s

# LIGHTLIFT 26.14 *PERFORMANCE III*S



## ELECTRIC SYSTEM - LITHIUM ION

Electric system voltage .....	76V-12V
Lithium battery pack.....	7,6 kWh
Autonomy (continuous cycle)* .....	4-5 h
Onboard battery charger .....	220V 50Hz
Optional battery charger .....	110V 50Hz
Recharge time on flat batteries .....	4 h (indicative)
Recharge time to 80% on flat batteries .....	2 h (indicative)

## HYDRAULIC PUMPS

Electric motor .....	no.2 gear pumps
----------------------	-----------------

## TRACKED UNDERCARRIAGE

Track tensioner .....	grease-filled
Rollers no. per side.....	6 + slide
Widening system .....	990 / 1490 mm
Translation speed with 2 <sup>nd</sup> auto2speed .....	0,7 - 1,2 km/h

WEIGHT MACHINE .....	4384 kg
MAX UPPER SLANT .....	16° / 28,7 %
MAX WIND SPEED .....	12,5 m/s

\* (Autonomy measured with Hinowa H1 operating cycle)